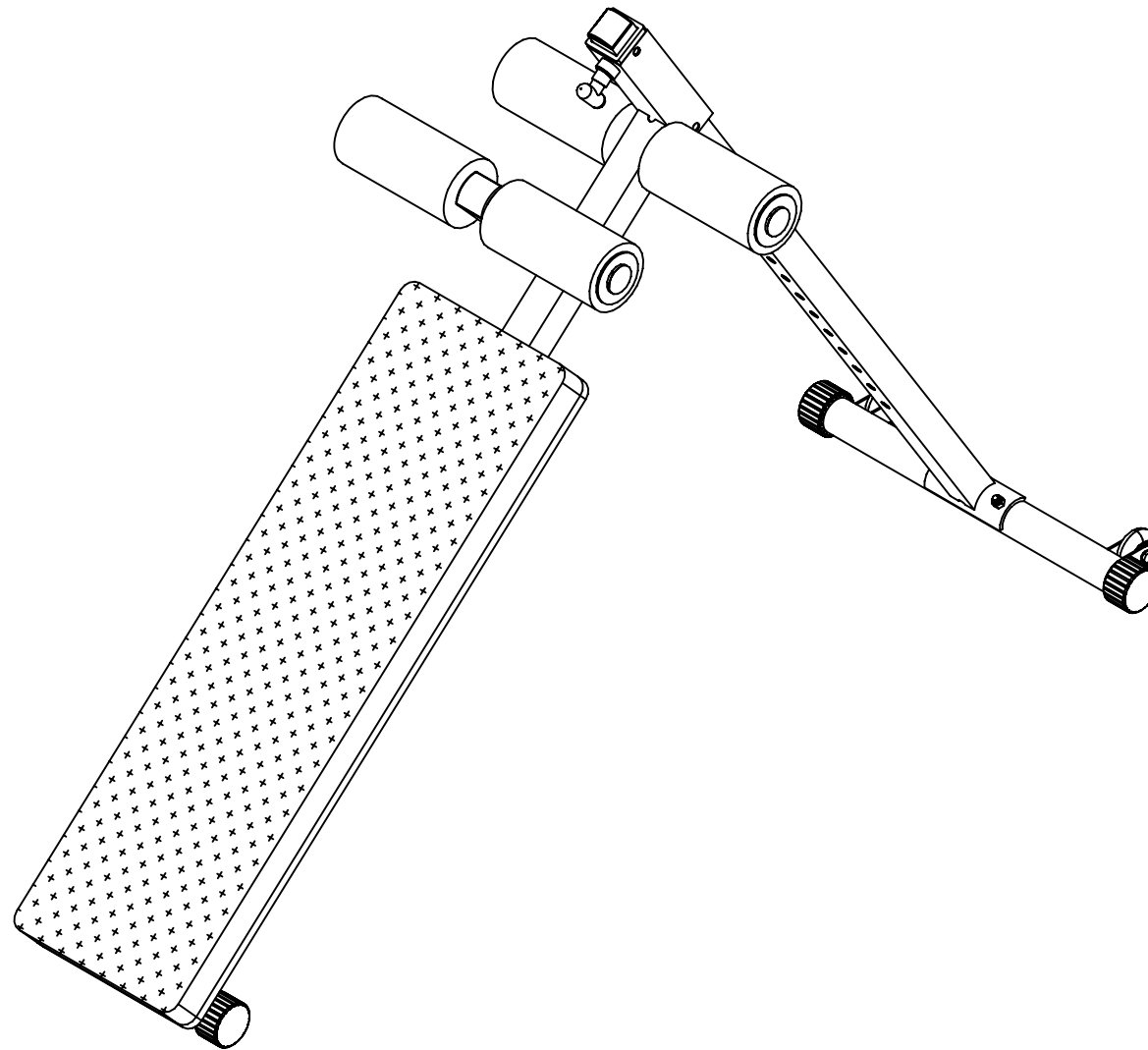


GAB-60

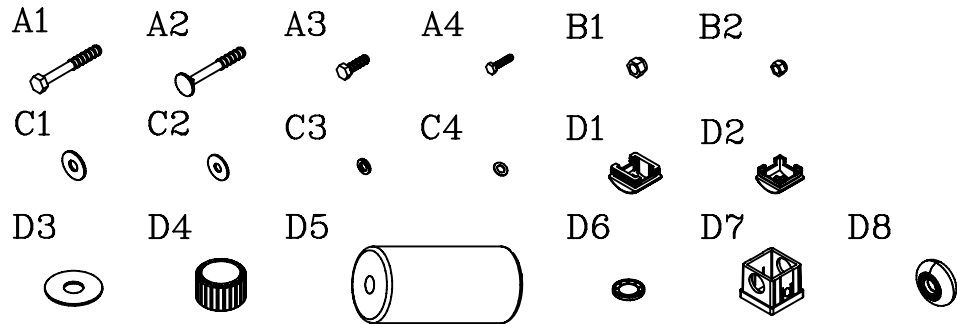


VERSION 0507

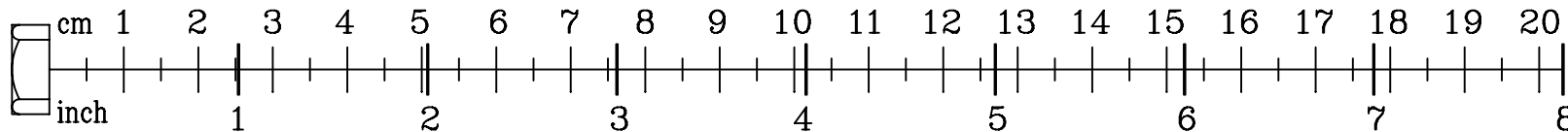
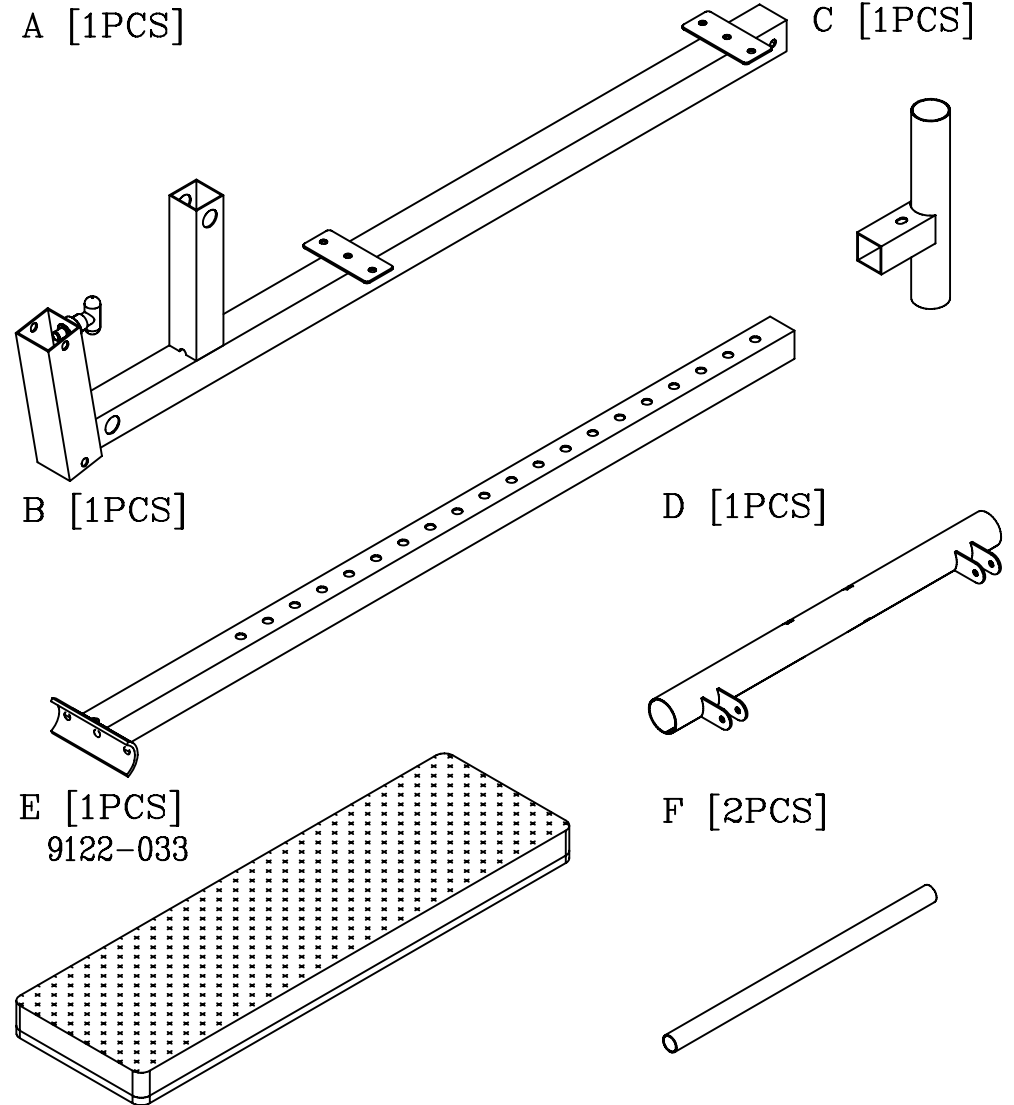
GAB-60

HARDWARE ILLUSTRATION SHEET

	Qty.
A1. M10X65 HEX HEAD BOLT	[1PCS]
A2. M10X65 CARRIAGE BOLT	[2PCS]
A3. 5/16"X1" HEX HEAD BOLT	[4PCS]
A4. M8X45 HEX HEAD BOLT	[2PCS]
B1. M10 NULON LOCK NUT	[3PCS]
B2. M8 NULON LOCK NUT	[2PCS]
C1. M10 (I.D.)WASHER	[2PCS]
C2. 5/16" (I.D.)WASHER	[4PCS]
C3. 5/16" SPRING WASHER	[4PCS]
C4. M8 (I.D) WASHER	[4PCS]
D1. 2"X2" END CAP(9211-087)	[1PCS]
D2. 1 3/4"X1 3/4" END CAP(9211-091)	[1PCS]
D3. ϕ 75X3TX26L NULON WASHER (9214-008)	[4PCS]
D4. ϕ 50 ROUND END CAP (9212-008)	[4PCS]
D5. FOAM ROLLER (9161-009)	[4PCS]
D6. ϕ 1" ROUND END CAP (8341-033)	[4PCS]
D7. 60X45 NYLON BUSHING (9211-032)	[2PCS]
D8. ϕ 64 PULLEY (9213-023)	[2PCS]



PARTS ILLUSTRATION SHEET



GAB-60

